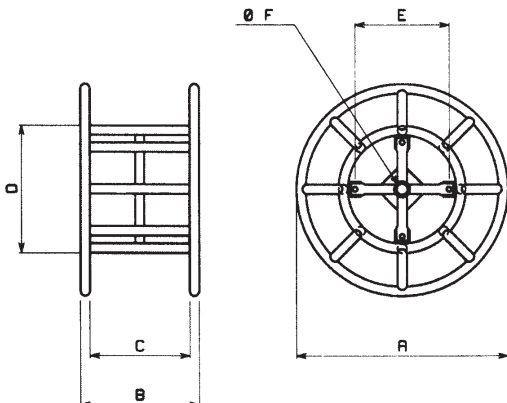


- Steel reels in simple version without integrated axle and without bearing. Screwed in crosses on both sides for holding the axle
- Reels with detachable flange and with a conic core, for scrapping of conductors
- Available with ZECK plug-in axle => faster change of reel

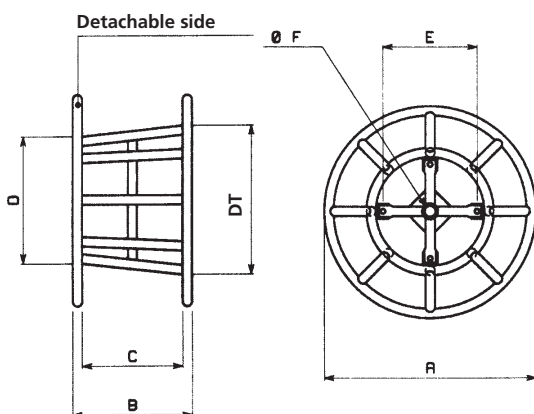


### Steel reels (non detachable):



Art. Nr	Dimensions in mm							Weight Kg
	A	B	C	D	DT	E	F	
77.9032	950	515	430	570	-	420	50	55
77.9034	1100	535	450	570	-	420	50	66
77.9035	1400	560	463	580	-	420	50	105
77.9037	1800	650	542	680	-	500	56,2	135

### Detachable steel reels:



Art. Nr	Dimensions in mm							Weight Kg
	A	B	C	D	DT	E	F	
77.9052	1100	535	450	570	670	420	50	70
77.9054	1400	560	463	580	680	420	50	100

Ø mm	Rope capacity of the reel in m			
	77.9032	77.9034 77.9052	77.9035 77.9054	77.9037
8	1600	3200	6400	14400
10	1200	2400	3600	8400
13	800	1600	2400	5600
16		900	1800	3600
18		800	1200	2400
20			1000	2000
22			900	1800
24			800	1600
26				1400
28				1200

Modifications and errors excepted. Illustrations show in part optional equipment. Technical data varied according to model. Machine performance is calculated at sea level at 20°C.